

PRODUCT DATASHEET

OUTDOOR LIGHTING | WALL WASHER

Outdoor lighting | Surface mounted wall washer linear light | 12w | Square shape

Code# OTLW18014-12



Areas of Application

- Park
- Villa
- Hotel
- Bridge
- Landscap
- Fovernment
- Outdoor decoration lighting

Product Features

- IP65 structure waterproof technology
- High luminous efficacy, high CRI
- Excellent light colour performance, optional anti-glare visor
- 6063 aviation aluminium internal cavity type heat dissipation
- Monochrome/ RGB triple/ RGBW quadruple for selection, support DMX512 protocol control
- Easy and quick installation

Complete Product Data

Code#	OTLW18014-12
Wattage	12w
Installation Type	Surface
Dimension	1000mm*29.7mm*47.05mm
Cutout	/
IP Rating	IP65
Luminous Flux	720lm
Beam Angle	120°
Working Temperature	-25°C ~55°C
Certificates	/
Warranty	3 Years
Packing Size	/

Driver Data

Driver Brand	Tridonic, Osram, Philips, Lifud, Euchips, Eaglerise, etc.
Input Voltage	DC24V
Output Voltage	/
Output Current	/
Power Factor	>0.5 as standard; >0.9 optional
Efficiently	87% @230v
IP Rating	IP20
Dimmable	Non-Dimmable/Triac/0-10v/Dali Optional
Free Flicker	Yes
Certificates	CE, CB, CCC, ENEC
Warranty	3/5 Years

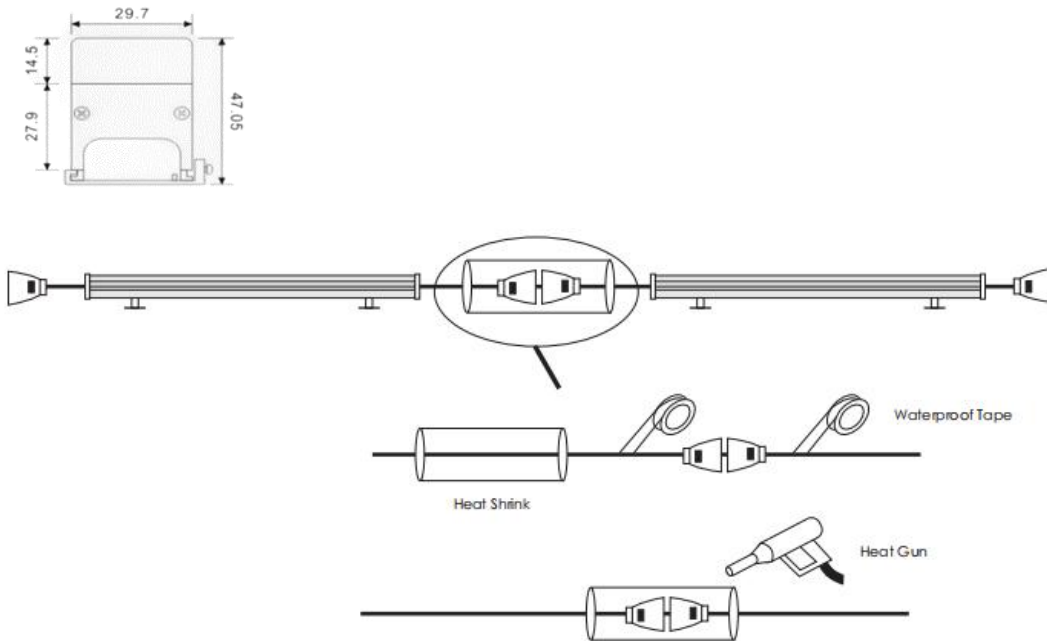
Material&Housing Data

Housing Color	Silver/ Black
Reflector Color	/
Housing Material	Aluminum + acrylic

Photometric Data

LED chip brand	Cree/ Osram /Bridgelux/ Epistar etc.
Chip Type	SMD
Color Temperature	2700K, 3000K, 4000K, 6000K
CRI	>80
Life time	>50000Hrs
Lumens efficacy	100-120lm/w

Dimensions&Installation



PLEASE FIND A QUALIFIED ELECTRICIAN FOR INSTALLATION. Please read the instructions before you install and use the washer light.

1. Place the LED wall washer lights at the required locations and connect them according to your lighting design.
2. Adjust the rotary angle to required angle, rotate the light body to adjust the emitting angle.
3. Connect LED wall washer lights together. Signal amplifiers are needed every 100 meters.
4. Finish waterproof treatment at every signal connector joint. (Please refer to picture above)
5. Connect the DMX Console to the first LED wall washer light.
6. Power on and run the system.