

# PRODUCT DATASHEET

## OUTDOOR LIGHTING | BOLLARDS

Garden Light | Pathway Light | Led Bollards | 7w | Square shape | IP65 | Anti-Glare  
Code# BL19014-100



---

### Areas of Application

- Villa garden
- Park
- Scenic spot
- Communities

---

### Product Features

- High quality aluminum housing, ensure excellent heat dissipation
- IP65 waterproof
- Creative cross shaped illumination provides better decorative effects
- CCT optional
- Customized height is available
- 3 years warranty

---

## Complete Product Data

<b>Code#</b>	BL19014-100
<b>Wattage</b>	7w
<b>Installation Type</b>	Floor mounted
<b>Dimension</b>	100*100*H1000
<b>Cutout</b>	/
<b>IP Rating</b>	IP65
<b>Luminous Flux</b>	350lm
<b>Beam Angle</b>	/
<b>Working Temperature</b>	-25°C~55°C
<b>Certificates</b>	/
<b>Warranty</b>	3 Years
<b>Packing Size</b>	/


## Driver Data

<b>Driver Brand</b>	DONE, Meanwell or customized
<b>Input Voltage</b>	200-240VAC 50/60hz
<b>Output Voltage</b>	30-42Vdc
<b>Output Current</b>	300mA
<b>Power Factor</b>	>0.9 optional
<b>Efficiently</b>	83% @230v
<b>IP Rating</b>	IP65
<b>Dimmable</b>	Non-Dimmable/Triac/0-10v/Dali Optional
<b>Free Flicker</b>	Yes
<b>Certificates</b>	CE, CB, CCC, ENEC
<b>Warranty</b>	3/5 Years

## Material&Housing Data

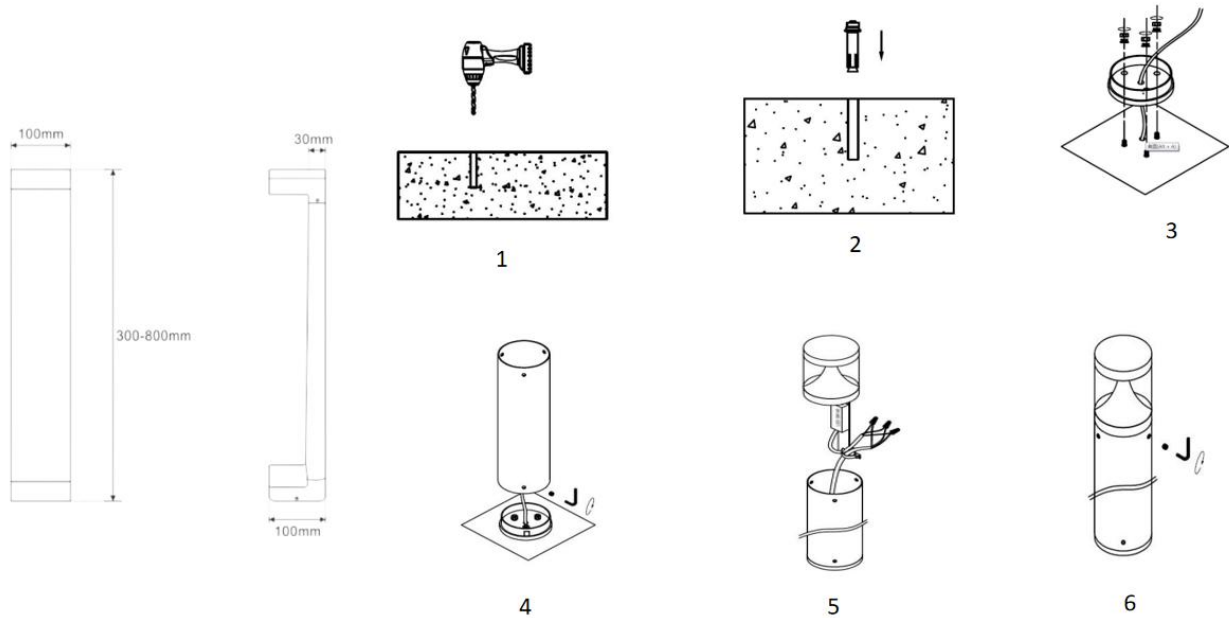
<b>Housing Color</b>	Black/Gray
<b>Housing Material</b>	Die-casting aluminum
<b>Reflector Color</b>	/

## Photometric Data

<b>LED chip brand</b>	Epistar
<b>Chip Type</b>	COB
<b>Color Temperature</b>	2700K, 3000K, 4000K, 5000K, 6000K, 6500K 
<b>CRI</b>	>80
<b>Life time</b>	>50000Hrs
<b>Lumens efficacy</b>	80-120lm/w

---

## Dimensions&Installation



**PLEASE FIND A QUALIFIED ELECTRICIAN FOR INSTALLATION.** Please read the instructions before you install and use the led bollard light.

1. Make sure the power is turned off in which you are installing the products.
2. Before wiring , make certain the input voltage is correct.
3. Drill holes in the cement foundation same same as Fig 1.
4. Place expansion screws in the drilled holes same as fig 2.
5. Lock the bottom of the lamp onto the expansion screws same as fig 3.
6. Lock the aluminum body onto the base same as fig 4.
7. Connect the wire of the lamp, wrap the waterproof tape, and tie the wire in the driver support same as fig 5.
8. Install the lamp holder and the screw it tight(it if E27 type), check the lamp is firm after installation, and connect the power supply to light it.

### Cleaning & Maintenance

1. Be sure fixture temperature is cool enough to touch, do not clean or maintain while fixture is energized.
2. Clean lens & fixture with non-abrasive glass cleaning solution.
3. Do not open the fixture to clean the LED, do not touch the led.