

PRODUCT DATASHEET

LINEAR LIGHT | RECESSED LINEAR

Linear light | Recessed mounted spotlight 8w | Square shape
Code# RL034550-3



Areas of Application

- Shops
- Office
- Villa
- Exhibition hall
- Corridors, stairways, entrance areas
- Galleries, museums, residential interiors

Product Features

- High luminous efficacy, high CRI
- Energy savings of up to 90% compared to halogen lamp spotlights
- CCT optional and dimmable
- Die-cast aluminum housing, ensure excellent heat dissipation
- Double anti-glare, without flicker
- Uniform light output and good consistency
- Easy and quick installation

Complete Product Data

Code#	RL034550-3
Wattage	8w
Installation Type	Recessed
Dimension	95mm*45mm*50mm
Cutout	87mm*37mm
IP Rating	IP20, IP54
Luminous Flux	560lm
Beam Angle	20°, 34°
Working Temperature	-25°C ~55°C
Certificates	/
Warranty	3 Years
Packing Size	/

Driver Data

Driver Brand	Tridonic, Osram, Philips, Lifud, Euchips, Eaglerise, etc.
Input Voltage	100-250VAC 50/60hz
Output Voltage	30-42Vdc
Output Current	180mA
Power Factor	>0.5 as standard; >0.9 optional
Efficiently	87% @230v
IP Rating	IP20
Dimmable	Non-Dimmable/Triac/0-10v/Dali Optional
Free Flicker	Yes
Certificates	CE, CB, CCC, ENEC
Warranty	3/5 Years

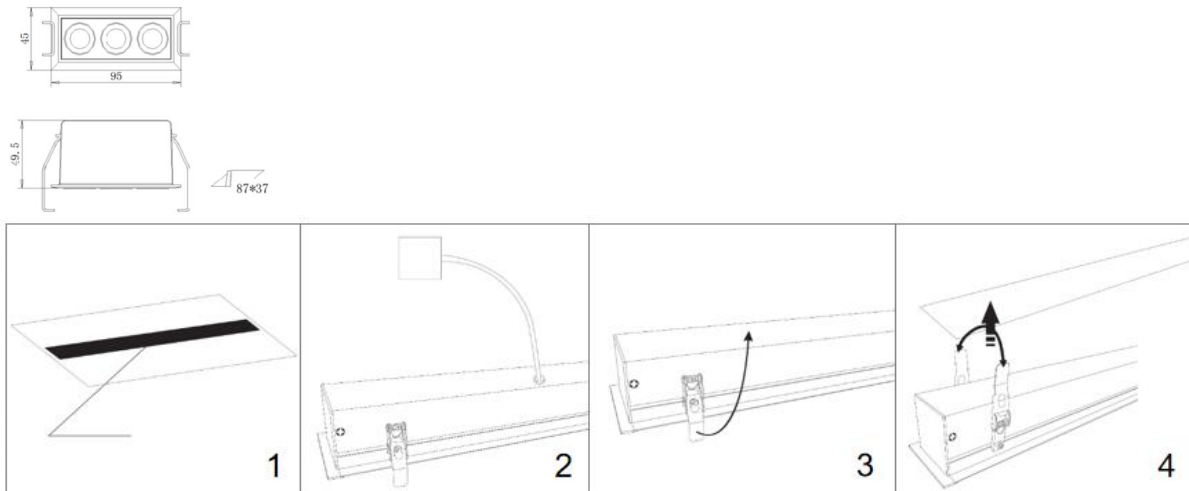
Material&Housing Data

Housing Color	White/ Black
Reflector Color	White/ Black
Housing Material	Aluminum

Photometric Data

LED chip brand	Cree/ Osram /Bridgelux/ Epistar etc.
Chip Type	SMD
Color Temperature	3000K, 4000K, 6000K
CRI	>90
Life time	>50000Hrs
Lumens efficacy	100-120lm/w

Dimensions&Installation



PLEASE FIND A QUALIFIED ELECTRICIAN FOR INSTALLATION. Please read the instructions before you install and use the downlight.

1. Make sure the power is turned off in which you are installing the products.
2. Cut ceiling opening to dimensions specified. (Fig 1)
3. Connect the input terminal to the main power supply. (Fig 2)
4. Pull the spring brackets upward. (Fig 3)
5. Hold the spring brackets upward and fix the fixture into the ceiling hole. (Fig 4)
6. Restore power at the source and the installation is complete.