

PRODUCT DATASHEET

DOWNLIGHTS | SPOTLIGHTS-ROUND

Downlights | Surface mounted spotlight | 15w | Round shape
Code# RS03015C-15



Areas of Application

- Shops
- Office
- Villa
- Exhibition hall
- Corridors, stairways, entrance areas
- Galleries, museums, residential interiors

Product Features

- High luminous efficacy, high CRI
- Uniform light output and good consistency
- Anti-glare, without flicker
- Energy savings of up to 90% compared to halogen lamp spotlights
- Die-cast aluminum housing, ensure excellent heat dissipation
- CCT optional and dimmable
- Easy and quick installation
- Good optical transmittance
- The light can be combined with the spotlight module

Complete Product Data

Code#	RS03015C-15
Wattage	15w
Installation Type	Surface
Dimension	φ160mm*H48mm
Cutout	/
IP Rating	IP20
Luminous Flux	1050lm
Beam Angle	120°
Working Temperature	-25°C ~55°C
Certificates	/
Warranty	3 Years
Packing Size	/

Driver Data

Driver Brand	Tridonic, Osram, Philips, Lifud, Euchips, Eaglerise, etc.
Input Voltage	100-250VAC 50/60hz
Output Voltage	27-40Vdc
Output Current	350mA
Power Factor	>0.5 as standard; >0.9 optional
Efficiently	87% @230v
IP Rating	IP20
Dimmable	Non-Dimmable/Triac/0-10v/Dali Optional
Free Flicker	Yes
Certificates	CE, CB, CCC, ENEC
Warranty	3/5 Years

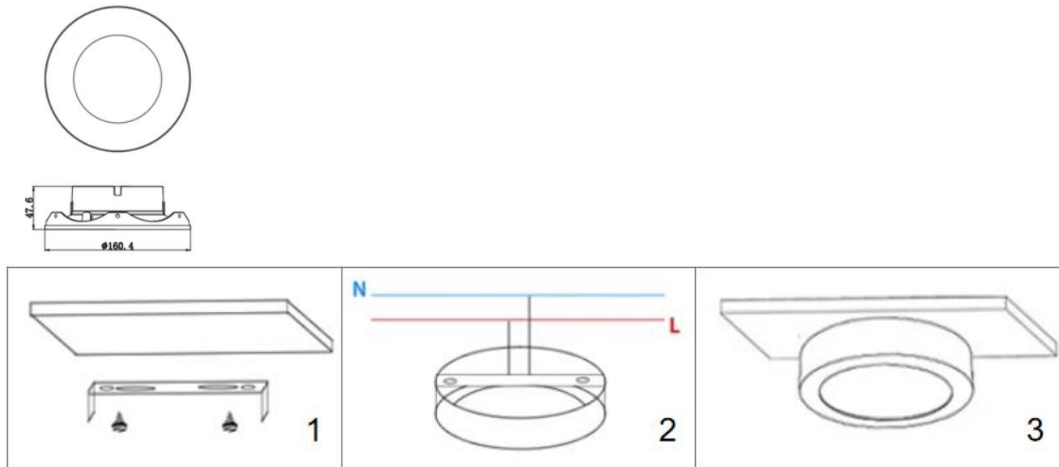
Material&Housing Data

Housing Color	White/Black
Reflector Color	White/Black
Housing Material	Die-casting Aluminum

Photometric Data

LED chip brand	Cree/ Osram /Bridgelux/ Epistar etc.
Chip Type	COB
Color Temperature	2700K, 3000K, 4000K, 5000K, 6000K
CRI	>80, >90
Life time	>50000Hrs
Lumens efficacy	100-120lm/w

Dimensions&Installation



PLEASE FIND A QUALIFIED ELECTRICIAN FOR INSTALLATION. Please read the instructions before you install and use the downlight.

1. Make sure the power is turned off in which you are installing the products.
2. Fix the bracket on the flowering board and reinforce it with screws. (Fig 1)
3. The power supply is fixed at the bottom of the lamp, and the two wires are connected to the power line L/N. (Fig 2)
4. Restore power at the source and the installation is complete. (Fig 3)