

# PRODUCT DATASHEET

## DOWNLIGHTS | SPOTLIGHTS-ROUND

Downlights | Surface mounted spotlight | 10w | Round shape

Code# RS03015C-10



---

### Areas of Application

- Shops
- Office
- Villa
- Exhibition hall
- Corridors, stairways, entrance areas
- Galleries, museums, residential interiors

---

### Product Features

- High luminous efficacy, high CRI
- Uniform light output and good consistency
- Anti-glare, without flicker
- Energy savings of up to 90% compared to halogen lamp spotlights
- Die-cast aluminum housing, ensure excellent heat dissipation
- CCT optional and dimmable
- Easy and quick installation
- Good optical transmittance
- The light can be combined with the spotlight module

---

## Complete Product Data

<b>Code#</b>	RS03015C-10
<b>Wattage</b>	10w
<b>Installation Type</b>	Surface
<b>Dimension</b>	φ115mm*H46mm
<b>Cutout</b>	/
<b>IP Rating</b>	IP20
<b>Luminous Flux</b>	700lm
<b>Beam Angle</b>	120°
<b>Working Temperature</b>	-25°C ~55°C
<b>Certificates</b>	/
<b>Warranty</b>	3 Years
<b>Packing Size</b>	/

## Driver Data

<b>Driver Brand</b>	Tridonic, Osram, Philips, Lifud, Euchips, Eaglerise, etc.
<b>Input Voltage</b>	100-250VAC 50/60hz
<b>Output Voltage</b>	30-42Vdc
<b>Output Current</b>	250mA
<b>Power Factor</b>	>0.5 as standard; >0.9 optional
<b>Efficiently</b>	87% @230v
<b>IP Rating</b>	IP20
<b>Dimmable</b>	Non-Dimmable/Triac/0-10v/Dali Optional
<b>Free Flicker</b>	Yes
<b>Certificates</b>	CE, CB, CCC, ENEC
<b>Warranty</b>	3/5 Years

## Material&Housing Data

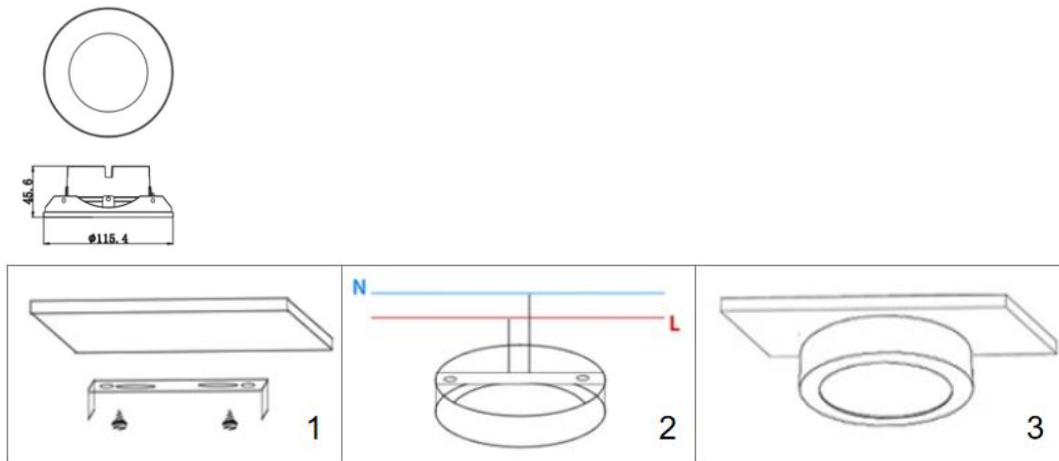
<b>Housing Color</b>	White/Black
<b>Reflector Color</b>	White/Black
<b>Housing Material</b>	Die-casting Aluminum

## Photometric Data

<b>LED chip brand</b>	Cree/ Osram /Bridgelux/ Epistar etc.
<b>Chip Type</b>	COB
<b>Color Temperature</b>	2700K, 3000K, 4000K, 5000K, 6000K
<b>CRI</b>	>80, >90
<b>Life time</b>	>50000Hrs
<b>Lumens efficacy</b>	100-120lm/w

---

## Dimensions&Installation



**PLEASE FIND A QUALIFIED ELECTRICIAN FOR INSTALLATION.** Please read the instructions before you install and use the downlight.

1. Make sure the power is turned off in which you are installing the products.
2. Fix the bracket on the flowering board and reinforce it with screws. (Fig 1)
3. The power supply is fixed at the bottom of the lamp, and the two wires are connected to the power line L/N. (Fig 2)
4. Restore power at the source and the installation is complete. (Fig 3)