

PRODUCT DATASHEET

DOWNLIGHTS | DAMP-PROOF LUMINAIRES

Downlights | Surface mounted spotlight 18w | Round shape

Code# DPR13005-18



Areas of Application

- Outdoor
- Garden
- Parking
- Garage
- Bathroom, kitchen, corridor, toilet, residential interiors

Product Features

- IP65 waterproof
- High luminous efficacy, high CRI
- Die-cast aluminum housing, ensure excellent heat dissipation
- Energy savings of up to 90% compared to halogen lamp spotlights
- CCT optional and dimmable
- High transmission lampshade
- Anti-glare, without flicker
- Easy and quick installation

Complete Product Data

Code#	DPR13005-18
Wattage	18w
Installation Type	Surface
Dimension	φ275mm*H85mm
Cutout	/
IP Rating	IP65
Luminous Flux	1350lm
Beam Angle	120°
Working Temperature	-25°C ~55°C
Certificates	/
Warranty	3 Years
Packing Size	/

Driver Data

Driver Brand	Tridonic, Osram, Philips, Lifud, Euchips, Eaglerise, etc.
Input Voltage	100-250VAC 50/60hz
Output Voltage	25-42Vdc
Output Current	450mA
Power Factor	>0.5 as standard; >0.9 optional
Efficiently	87% @230v
IP Rating	IP20
Dimmable	Non-Dimmable/Triac/0-10v/Dali Optional
Free Flicker	Yes
Certificates	CE, CB, CCC, ENEC
Warranty	3/5 Years

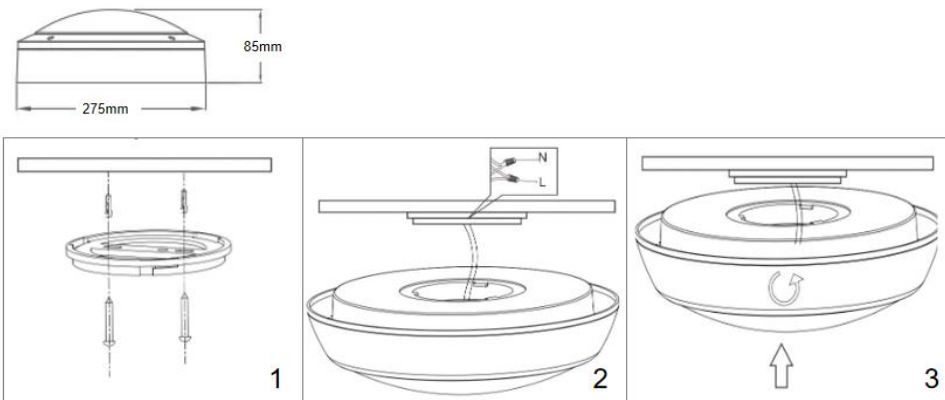
Material&Housing Data

Housing Color	White/ Black
Reflector Color	/
Housing Material	Die-cast Alumininum + PC

Photometric Data

LED chip brand	Cree/ Osram /Bridgelux/ Epistar etc.
Chip Type	SMD
Color Temperature	3000K, 4000K, 6000K
CRI	>80
Life time	>50000Hrs
Lumens efficacy	100-120lm/w

Dimensions&Installation



PLEASE FIND A QUALIFIED ELECTRICIAN FOR INSTALLATION. Please read the instructions before you install and use the downlight.

1. Make sure the power is turned off in which you are installing the products.
2. Fix the screws through the underbed. (Fig 1)
3. Connecting the L/N wire accordingly in the junction box. (Fig 2)
4. Hold the lamp and rotate clockwise. (Fig 3)
5. Restore power at the source and the installation is complete.