

# PRODUCT DATASHEET

## LINEAR LIGHT | RECESSED LINEAR

Linear light | Recessed mounted linear light 36w | Square shape

Code# RL0415048-100



---

### Areas of Application

- Gym
- Club
- Office
- Shops
- Hotel
- Subway station, airports, public building interiors
- Living room, meeting room, residential interiors

---

### Product Features

- High luminous efficacy, high CRI
- Energy savings of up to 90% compared to halogen lamp spotlights
- CCT optional and dimmable
- Die-cast aluminum housing, ensure excellent heat dissipation
- High transmission lampshade
- Anti-glare, without flicker
- Easy and quick installation

---

## Complete Product Data

<b>Code#</b>	RL0415048-100
<b>Wattage</b>	36w
<b>Installation Type</b>	Recessed
<b>Dimension</b>	L1000mm*W166mm*H48mm
<b>Cutout</b>	/
<b>IP Rating</b>	IP20
<b>Luminous Flux</b>	2880lm
<b>Beam Angle</b>	103°
<b>Working Temperature</b>	-25°C ~55°C
<b>Certificates</b>	/
<b>Warranty</b>	3 Years
<b>Packing Size</b>	/

## Driver Data

<b>Driver Brand</b>	Tridonic, Osram, Philips, Lifud, Euchips, Eaglerise, etc.
<b>Input Voltage</b>	100-250VAC 50/60hz
<b>Output Voltage</b>	24-42Vdc
<b>Output Current</b>	900mA
<b>Power Factor</b>	>0.5 as standard; >0.9 optional
<b>Efficiently</b>	87% @230v
<b>IP Rating</b>	IP20
<b>Dimmable</b>	Non-Dimmable/Triac/0-10v/Dali Optional
<b>Free Flicker</b>	Yes
<b>Certificates</b>	CE, CB, CCC, ENEC
<b>Warranty</b>	3/5 Years

## Material&Housing Data

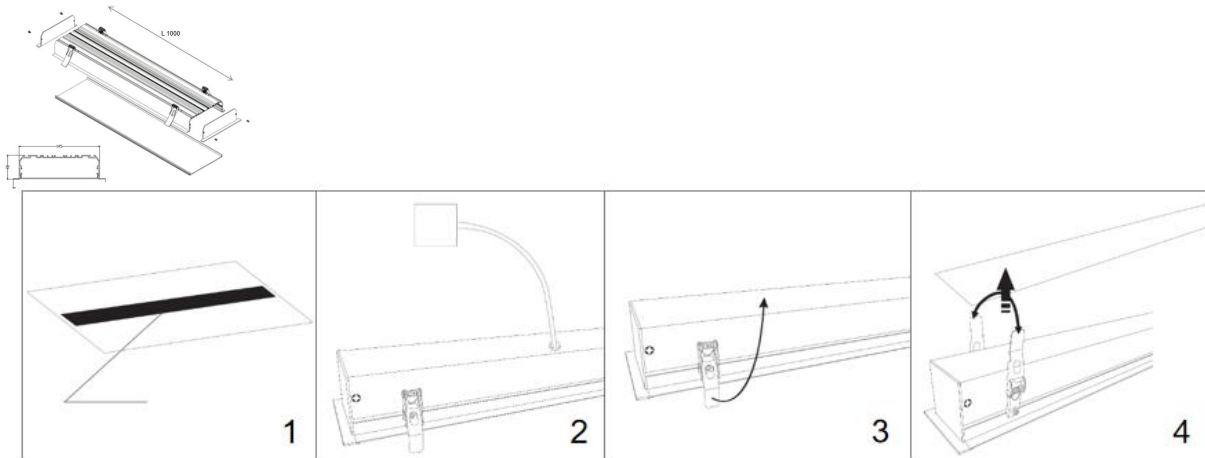
<b>Housing Color</b>	White/ Black
<b>Reflector Color</b>	/
<b>Housing Material</b>	Aluminum

## Photometric Data

<b>LED chip brand</b>	Cree/ Osram /Bridgelux/ Epistar etc.
<b>Chip Type</b>	SMD
<b>Color Temperature</b>	2700K, 3000K, 4000K, 5000K, 6000K
<b>CRI</b>	>82
<b>Life time</b>	>50000Hrs
<b>Lumens efficacy</b>	100-120lm/w

---

## Dimensions&Installation



**PLEASE FIND A QUALIFIED ELECTRICIAN FOR INSTALLATION.** Please read the instructions before you install and use the downlight.

1. Make sure the power is turned off in which you are installing the products.
2. Cut ceiling opening to dimensions specified. (Fig 1)
3. Connect the input terminal to the main power supply. (Fig 2)
4. Pull the spring brackets upward. (Fig 3)
5. Hold the spring brackets upward and fix the fixture into the ceiling hole. (Fig 4)
6. Restore power at the source and the installation is complete.