

PRODUCT DATASHEET

DOWNLIGHTS | SPOTLIGHTS-ROUND

Downlights | Anti-glare design | Angle Adjustable | Recessed mounted spotlight | 10w | Round shape
Code# RS03024-10x3



Areas of Application

- Hotel rooms
- Mall
- Living room
- Office Room
- Shops
- Galleries

Product Features

- Suitable for low consumption & high efficiency LEDs has high CRI and Luminous flux
- Light could be different types and models could satisfy all kinds of requirements
- Die-cast aluminum housing, ensure excellent heat dissipation
- Uniform light output and good consistency
- CCT optional and dimmable
- CRI>90
- Easy and quick installation
- 3 years warranty

Complete Product Data

| | |
|----------------------------|---------------------------------------|
| Code# | RS03024-10x3 |
| Wattage | 8wx3 |
| Installation Type | Recessed |
| Dimension | L400mm*W60mm*H147.7mm (φ54.5mm*105mm) |
| Cutout | L390*W50mm |
| IP Rating | IP20 |
| Luminous Flux | 700lmx3 |
| Beam Angle | 24° 36° |
| Working Temperature | -25°C~55°C |
| Certificates | / |
| Warranty | 3 Years |
| Packing Size | / |

Driver Data

| | |
|-----------------------|---|
| Driver Brand | Tridonic, Osram, Philips, Lifud, Euchips, Eaglerise, etc. |
| Input Voltage | 100-250VAC 50/60hz |
| Output Voltage | 30-42Vdc |
| Output Current | 250mA |
| Power Factor | >0.5 as standard; >0.9 optional |
| Efficiently | 83% @230v |
| IP Rating | IP20 |
| Dimmable | Non-Dimmable/Triac/0-10v/Dali Optional |
| Free Flicker | Yes |
| Certificates | CE, CB, CCC, ENEC |
| Warranty | 3/5 Years |

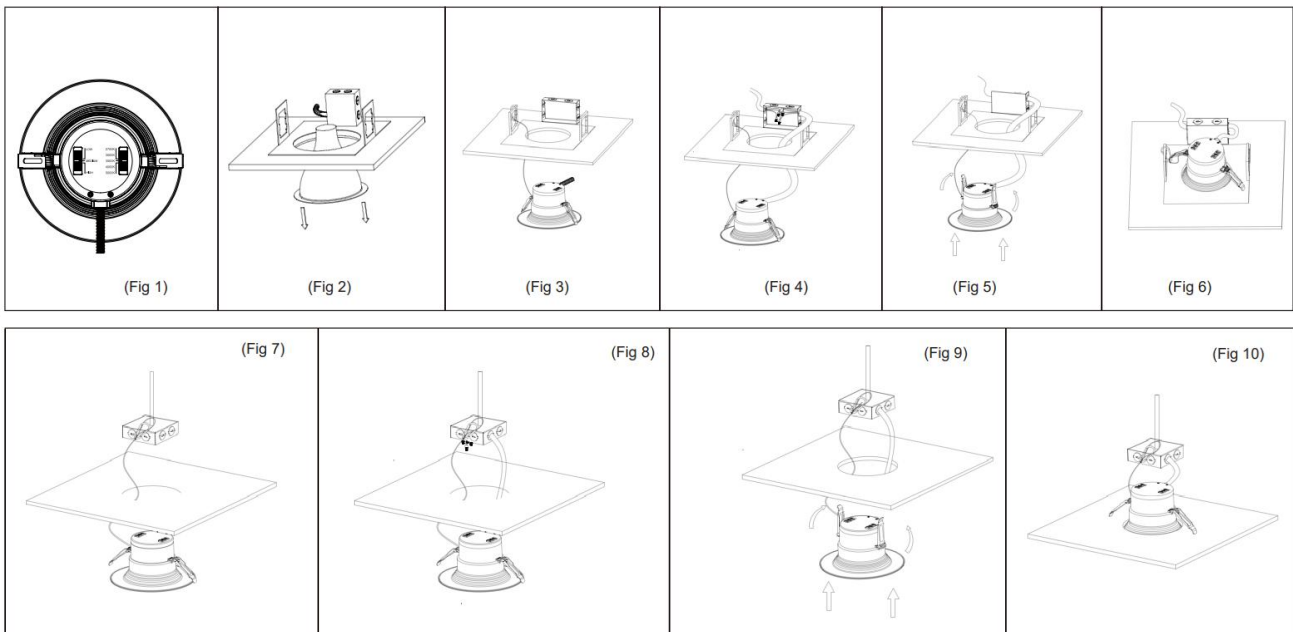
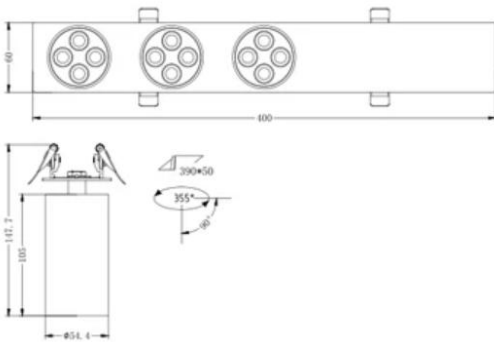
Material&Housing Data

| | |
|-------------------------|----------------------|
| Housing Color | White/Black |
| Housing Material | Die-casting Aluminum |

Photometric Data

| | |
|--------------------------|--|
| LED chip brand | Cree/ Osram /Bridgelux/ Epistar etc. |
| Chip Type | COB |
| Color Temperature | 2700K, 3000K, 4000K, 5000K, 6000K, 6500K |
| CRI | >80, >90 |
| Life time | >50000Hrs |
| Lumens efficacy | 110-135lm/w |

Dimensions&Installation



PLEASE FIND A QUALIFIED ELECTRICIAN FOR INSTALLATION. Please read the instructions before you install and use the downlight.

1. Make sure the power is turned off in which you are installing the products.
2. If existing lamp and trim are present, remove from ceiling or move it out of the way as it will not be needed during installation. Measure the ceiling opening to make sure the edge of the downlight will cover the entire hole and still sit firmly in the ceiling before proceeding. (Fig 2)
3. Insert lamp conduit into the box and wire to power source (black to hot, white to neutral) (Fig. 4).
4. Squeeze the two housing clips so they are in an upright position and insert lamp into housing. (Fig 5)
5. Once lamp is inside the housing, release the housing clips and continue pushing lamp into housing until securely fixed and flush with ceiling. (Fig 6)
6. Restore power at the source and the installation is complete.