

PRODUCT DATASHEET

DOWNLIGHTS | SPOTLIGHTS-ROUND

Downlights | Anti-glare design | Angle Adjustable | Recessed mounted spotlight | 8w | Round shape
Code# RS03024-8x3



Areas of Application

- Hotel rooms
- Mall
- Living room
- Office Room
- Shops
- Galleries

Product Features

- Suitable for low consumption & high efficiency LEDs has high CRI and Luminous flux
- Light could be different types and models could satisfy all kinds of requirements
- Die-cast aluminum housing, ensure excellent heat dissipation
- Uniform light output and good consistency
- CCT optional and dimmable
- CRI>90
- Easy and quick installation
- 3 years warranty

Complete Product Data

Code#	RS03024-8x3
Wattage	8wx3
Installation Type	Recessed
Dimension	L400mm*W60mm*H132.7mm (φ47.4mm*90mm)
Cutout	L390*W50mm
IP Rating	IP20
Luminous Flux	560lmx3
Beam Angle	24° 36°
Working Temperature	-25°C~55°C
Certificates	/
Warranty	3 Years
Packing Size	/

Driver Data

Driver Brand	Tridonic, Osram, Philips, Lifud, Euchips, Eaglerise, etc.
Input Voltage	100-250VAC 50/60hz
Output Voltage	30-42Vdc
Output Current	180mA
Power Factor	>0.5 as standard; >0.9 optional
Efficiently	87% @230v
IP Rating	IP20
Dimmable	Non-Dimmable/Triac/0-10v/Dali Optional
Free Flicker	Yes
Certificates	CE, CB, CCC, ENEC
Warranty	3/5 Years

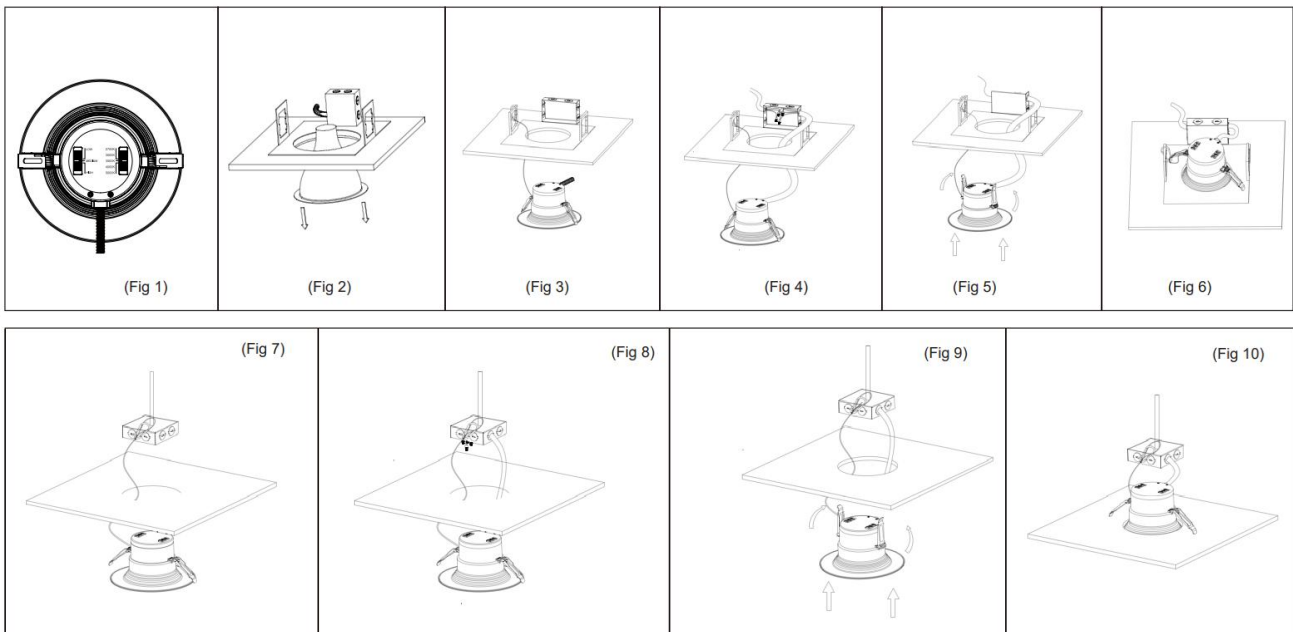
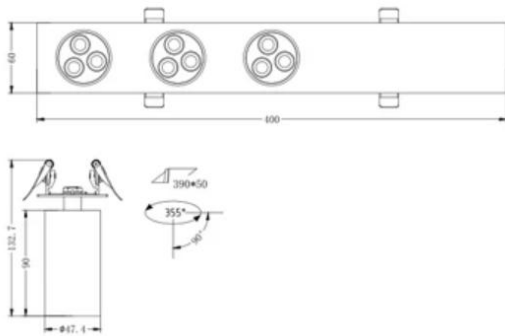
Material&Housing Data

Housing Color	White/Black
Housing Material	Die-casting Aluminum

Photometric Data

LED chip brand	Cree/ Osram /Bridgelux/ Epistar etc.
Chip Type	COB
Color Temperature	2700K, 3000K, 4000K, 5000K, 6000K, 6500K
CRI	>80, >90
Life time	>50000Hrs
Lumens efficacy	110-135lm/w

Dimensions&Installation



PLEASE FIND A QUALIFIED ELECTRICIAN FOR INSTALLATION. Please read the instructions before you install and use the downlight.

1. Make sure the power is turned off in which you are installing the products.
2. If existing lamp and trim are present, remove from ceiling or move it out of the way as it will not be needed during installation. Measure the ceiling opening to make sure the edge of the downlight will cover the entire hole and still sit firmly in the ceiling before proceeding. (Fig 2)
3. Insert lamp conduit into the box and wire to power source (black to hot, white to neutral) (Fig. 4).
4. Squeeze the two housing clips so they are in an upright position and insert lamp into housing. (Fig 5)
5. Once lamp is inside the housing, release the housing clips and continue pushing lamp into housing until securely fixed and flush with ceiling. (Fig 6)
6. Restore power at the source and the installation is complete.