

PRODUCT DATASHEET

DOWNLIGHTS | SPOTLIGHTS-MINI

Downlights | Recessed mounted spotlight | 3w | Round shape | Angle adjustable | Small cutout
Code# MN05013-3



Areas of Application

- Shops
- Hotel
- Villa
- Restaurant
- Corridors, stairways, entrance areas
- Galleries, museums residential interiors

Product Features

- High luminous efficacy
- Die-cast aluminum housing, ensure excellent heat dissipation
- Internally equipped with lenses for good focusing effect
- CCT optional and dimmable
- Easy and quick installation
- Anti glare, without flicker
- The lamp head can be flexibly adjusted by 30 degrees

Complete Product Data

Code#	MN05013-3
Wattage	3w
Installation Type	Recessed
Dimension	Dia42mm*H53mm
Cutout	φ35mm
IP Rating	IP20
Luminous Flux	225lm
Beam Angle	5°, 8°, 10°, 15°, 24°, 36°, 45°, 60°
Working Temperature	-25°C ~55°C
Certificates	/
Warranty	3 Years
Packing Size	/

Driver Data

Driver Brand	Tridonic, Osram, Philips, Lifud, Euchips, Eaglerise, etc.
Input Voltage	100-250VAC 50/60hz
Output Voltage	10-24Vdc
Output Current	250mA
Power Factor	>0.5 as standard; >0.9 optional
Efficiently	87% @230v
IP Rating	IP20
Dimmable	Non-Dimmable/Triac/0-10v/Dali Optional
Free Flicker	Yes
Certificates	CE, CB, CCC, ENEC
Warranty	3/5 Years

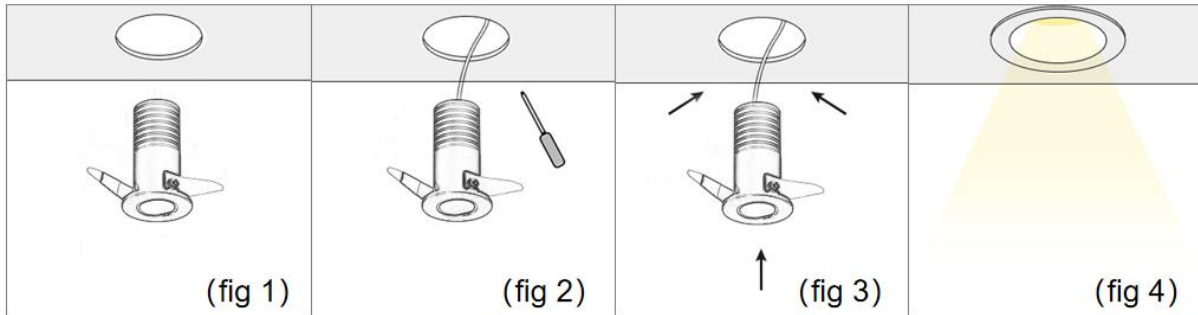
Material&Housing Data

Housing Color	White/Black
Reflector Color	White/Black
Housing Material	Die-casting Aluminum

Photometric Data

LED chip brand	Cree/ Osram /Bridgelux/ Epistar etc.
Chip Type	COB
Color Temperature	2700K, 3000K, 4000K, 5000K, 6000K, 6500K
CRI	>80, >90
Life time	>50000Hrs
Lumens efficacy	100-120lm/w

Dimensions&Installation



PLEASE FIND A QUALIFIED ELECTRICIAN FOR INSTALLATION. Please read the instructions before you install and use the downlight.

1. Make sure the power is turned off in which you are installing the products.
2. Measure the ceiling opening to make sure the edge of the downlight will cover the entire hole and still sit firmly in the ceiling before proceeding. (Fig 1)
3. Connect the wires to the wiring terminals of the lighting fixtures. (Fig 2)
4. Squeeze the two housing clips so they are in an upright position and insert lamp into housing. (Fig 3)
5. Once lamp is inside the housing, release the housing clips and continue pushing lamp into housing until securely fixed and flush with ceiling.
6. Restore power at the source and the installation is complete. (Fig 4)