

# PRODUCT DATASHEET

## DOWNLIGHTS | SPOTLIGHTS-MINI

Downlights | Recessed mounted spotlight | 2w | Round shape

Code# MN05012-2



---

### Areas of Application

- Shops
- Hotel
- Home Villa
- Restaurant
- Corridors, stairways, entrance areas
- Galleries, museums residential interiors

---

### Product Features

- High luminous efficacy
- Die-cast aluminum housing, ensure excellent heat dissipation
- Diamond grade flint lens, high transparency, high refractive index, uniform light transmission
- CCT optional and dimmable
- Easy and quick installation
- Anti glare, without flicker
- Progressive cooling system: multi layer convective heat dissipation, layer by layer stacking, layer by layer cooling

---

## Complete Product Data

<b>Code#</b>	MN05012-2
<b>Wattage</b>	2w
<b>Installation Type</b>	Recessed
<b>Dimension</b>	Dia22mm*H40mm
<b>Cutout</b>	φ18mm
<b>IP Rating</b>	IP20
<b>Luminous Flux</b>	150lm
<b>Beam Angle</b>	5°, 8°, 10°, 15°, 24°, 36°, 45°
<b>Working Temperature</b>	-25°C ~55°C
<b>Certificates</b>	/
<b>Warranty</b>	3 Years
<b>Packing Size</b>	/

## Driver Data

<b>Driver Brand</b>	Tridonic, Osram, Philips, Lifud, Euchips, Eaglerise, etc.
<b>Input Voltage</b>	100-250VAC 50/60hz
<b>Output Voltage</b>	5-12Vdc
<b>Output Current</b>	350mA
<b>Power Factor</b>	>0.5 as standard; >0.9 optional
<b>Efficiently</b>	87% @230v
<b>IP Rating</b>	IP20
<b>Dimmable</b>	Non-Dimmable/Triac/0-10v/Dali Optional
<b>Free Flicker</b>	Yes
<b>Certificates</b>	CE, CB, CCC, ENEC
<b>Warranty</b>	3/5 Years

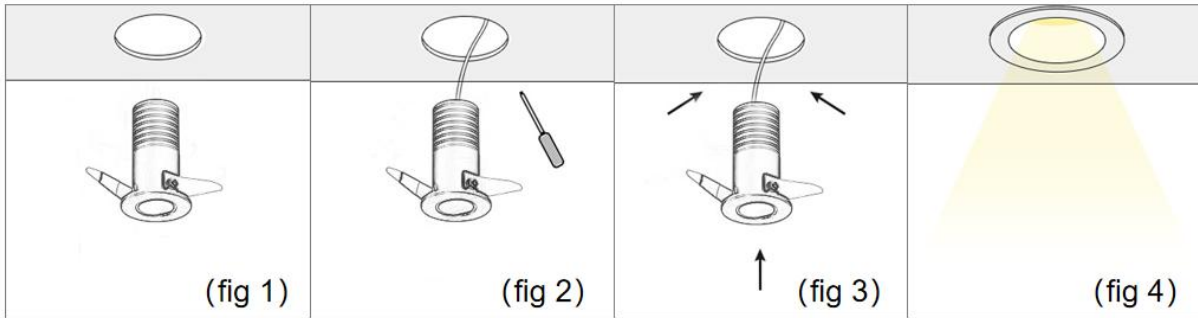
## Material&Housing Data

<b>Housing Color</b>	White/Black
<b>Reflector Color</b>	White/Black
<b>Housing Material</b>	Die-casting Aluminum

## Photometric Data

<b>LED chip brand</b>	Cree/ Osram /Bridgelux/ Epistar etc.
<b>Chip Type</b>	COB
<b>Color Temperature</b>	2700K, 3000K, 4000K, 5000K, 6000K, 6500K
<b>CRI</b>	>80, >90
<b>Life time</b>	>50000Hrs
<b>Lumens efficacy</b>	100-120lm/w

## Dimensions&Installation



**PLEASE FIND A QUALIFIED ELECTRICIAN FOR INSTALLATION.** Please read the instructions before you install and use the downlight.

1. Make sure the power is turned off in which you are installing the products.
2. Measure the ceiling opening to make sure the edge of the downlight will cover the entire hole and still sit firmly in the ceiling before proceeding. (Fig 1)
3. Connect the wires to the wiring terminals of the lighting fixtures. (Fig 2)
4. Squeeze the two housing clips so they are in an upright position and insert lamp into housing. (Fig 3)
5. Once lamp is inside the housing, release the housing clips and continue pushing lamp into housing until securely fixed and flush with ceiling.
6. Restore power at the source and the installation is completed. (Fig 4)