

PRODUCT DATASHEET

DOWNLIGHTS | SPOTLIGHTS-MINI

Downlights | Recessed mounted spotlight | 5w | Round shape

Code# MN02006-5



Areas of Application

- Exhibition hall
- Shops
- Hotel
- Club
- Home Villa

Product Features

- High luminous efficacy
- Die-cast aluminum housing, ensure excellent heat dissipation
- Uniform light output and good consistency
- CCT optional and dimmable
- Easy and quick installation
- Anti-glare design with deep reflector

Complete Product Data

Code#	MN02006-5
Wattage	5w
Installation Type	Recessed
Dimension	φ75mm*H100mm
Cutout	φ65mm
IP Rating	IP20
Luminous Flux	350lm
Beam Angle	24°
Working Temperature	-25°C ~55°C
Certificates	/
Warranty	3 Years
Packing Size	/

Driver Data

Driver Brand	Tridonic, Osram, Philips, Lifud, Euchips, Eaglerise, etc.
Input Voltage	100-250VAC 50/60hz
Output Voltage	30-42Vdc
Output Current	120mA
Power Factor	>0.5 as standard; >0.9 optional
Efficiently	87% @230v
IP Rating	IP20
Dimmable	Non-Dimmable/Triac/0-10v/Dali Optional
Free Flicker	Yes
Certificates	CE, CB, CCC, ENEC
Warranty	3/5 Years

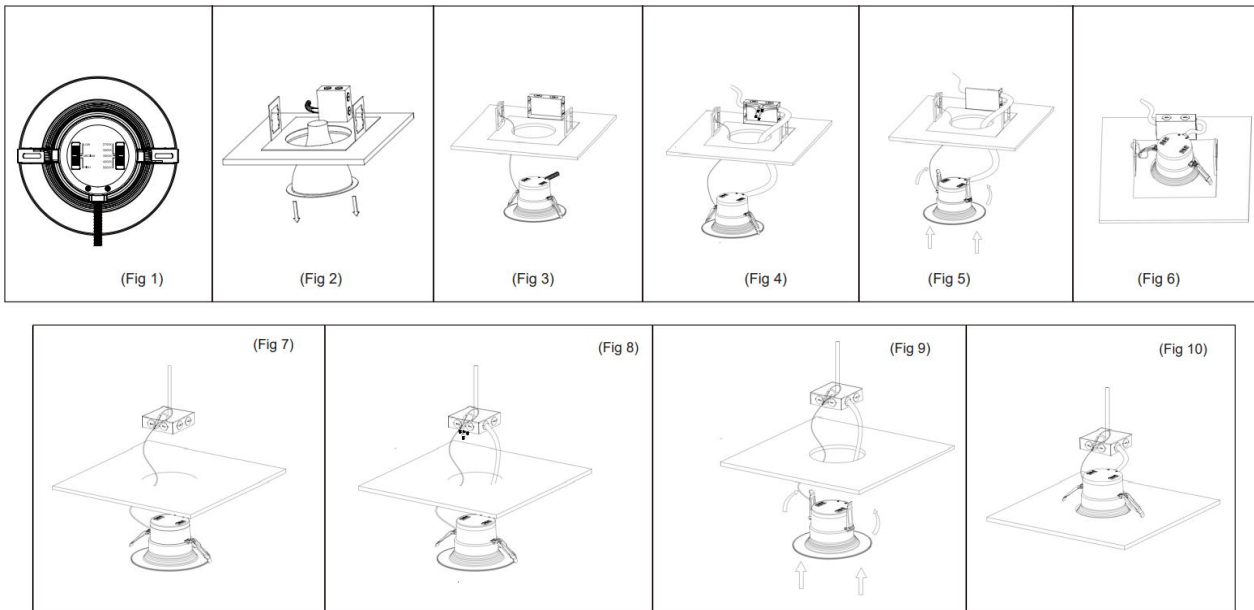
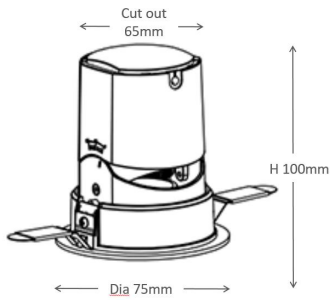
Material&Housing Data

Housing Color	White/Black
Reflector Color	White/Black
Housing Material	Die-casting Aluminum

Photometric Data

LED chip brand	Cree/ Osram /Bridgelux/ Epistar etc.
Chip Type	COB
Color Temperature	2700K, 3000K, 4000K, 5000K, 6000K
CRI	>80, >90
Life time	>50000Hrs
Lumens efficacy	100-120lm/w

Dimensions&Installation



PLEASE FIND A QUALIFIED ELECTRICIAN FOR INSTALLATION. Please read the instructions before you install and use the downlight.

1. Make sure the power is turned off in which you are installing the products.
2. Measure the ceiling opening to make sure the edge of the downlight will cover the entire hole and still sit firmly in the ceiling before proceeding. (Fig 2)
3. Insert lamp conduit into the box and wire to power source (black to hot, white to neutral). (Fig. 4)
4. Squeeze the two housing clips so they are in an upright position and insert lamp into housing. (Fig 5)
5. Once lamp is inside the housing, release the housing clips and continue pushing lamp into housing until securely fixed and flush with ceiling. (Fig 6)
6. Restore power at the source and the installation is completed.