

PRODUCT DATASHEET

DOWNLIGHTS | SPOTLIGHTS-MINI

Downlights | Recessed mounted spotlight | 3w | Round shape | Beam Angle Zoomable | Small cutout
Code# MN02003-3



Areas of Application

- Museum
- Exhibition hall
- Villa
- Club
- Shops

Product Features

- High luminous efficacy
- Energy savings of up to 90% compared to halogen lamp spotlights
- Die-cast aluminum housing, ensure excellent heat dissipation
- Uniform light output and good consistency
- CCT optional and dimmable
- 10-60° Beam angle adjustable

Complete Product Data

Code#	MN02003-3
Wattage	3w
Installation Type	Recessed
Dimension	φ74mm*H54mm
Cutout	φ65mm
IP Rating	IP20
Luminous Flux	210lm
Beam Angle	10-60°
Working Temperature	-25°C ~55°C
Certificates	/
Warranty	3 Years
Packing Size	/

Driver Data

Driver Brand	Tridonic, Osram, Philips, Lifud, Euchips, Eaglerise, etc.
Input Voltage	100-250VAC 50/60hz
Output Voltage	10-24Vdc
Output Current	250mA
Power Factor	>0.5 as standard; >0.9 optional
Efficiently	87% @230v
IP Rating	IP20
Dimmable	Non-Dimmable/Triac/0-10v/Dali Optional
Free Flicker	Yes
Certificates	CE, CB, CCC, ENEC
Warranty	3/5 Years

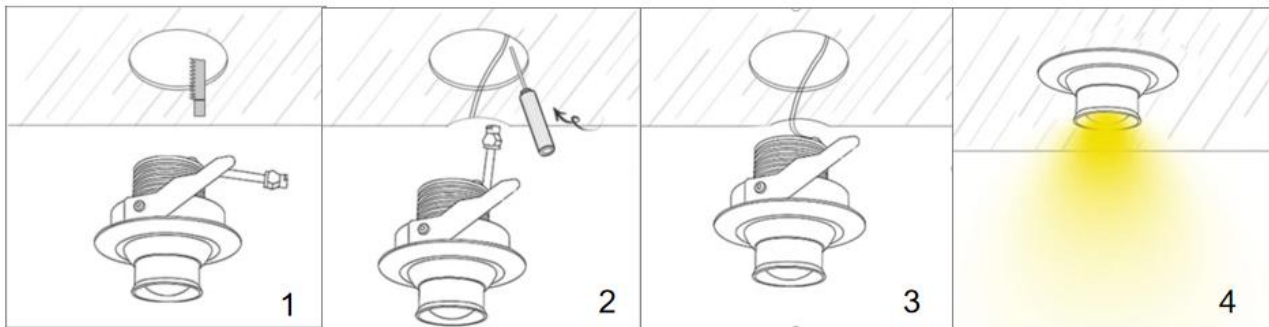
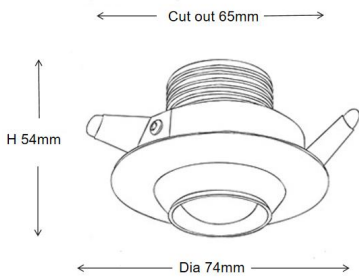
Material&Housing Data

Housing Color	Black
Reflector Color	Black
Housing Material	Die-casting Aluminum

Photometric Data

LED chip brand	Cree/ Osram /Bridgelux/ Epistar etc.
Chip Type	COB
Color Temperature	2700K, 3000K, 4000K, 5000K, 6000K
CRI	>80, >90
Life time	>50000Hrs
Lumens efficacy	100-120lm/w

Dimensions&Installation



PLEASE FIND A QUALIFIED ELECTRICIAN FOR INSTALLATION. Please read the instructions before you install and use the downlight.

1. Make sure the power is turned off before installing the products.
2. Determine cutout size. (Fig 1)
3. Unplug the power supply to 220v and connect the lamp. (Fig 2)
4. Press the shrapnel to push the lamp into the hole. (Fig 3)
5. Once lamp is inside the housing, release the housing clips and continue pushing lamp into housing until securely fixed and flush with ceiling. (Fig 4)
6. Restore power at the source and the installation is completed.