

# PRODUCT DATASHEET

## DOWNLIGHTS | SPOTLIGHTS-MINI

Downlights | Recessed mounted spotlight | 7w | Round shape

Code# MN02001-7



---

### Areas of Application

- Hotel rooms
- Bars, restaurants
- Hospital
- Office Room
- Shops
- Corridors, stairways, entrance areas
- Galleries, museums residential interiors

---

### Product Features

- High luminous efficacy
- Energy savings of up to 90 % compared to halogen lamp spotlights
- Die-cast aluminum housing, ensure excellent heat dissipation
- Uniform light output and good consistency
- CCT optional and dimmable
- Easy and quick installation
- 3 years guarantee

---

## Complete Product Data

<b>Code#</b>	MN02001-7
<b>Wattage</b>	7w
<b>Installation Type</b>	Recessed
<b>Dimension</b>	φ44mm*H90mm
<b>Cutout</b>	φ40mm
<b>IP Rating</b>	IP20
<b>Luminous Flux</b>	490lm
<b>Beam Angle</b>	15° 25°
<b>Working Temperature</b>	-25℃ ~55℃
<b>Certificates</b>	/
<b>Warranty</b>	3 Years
<b>Packing Size</b>	/

## Driver Data

<b>Driver Brand</b>	Tridonic, Osram, Philips, Lifud, Euchips, Eaglerise, etc.
<b>Input Voltage</b>	100-250VAC 50/60hz
<b>Output Voltage</b>	30-42Vdc
<b>Output Current</b>	180mA
<b>Power Factor</b>	>0.5 as standard; >0.9 optional
<b>Efficiently</b>	87% @230v
<b>IP Rating</b>	IP20
<b>Dimmable</b>	Non-Dimmable/Triac/0-10v/Dali Optional
<b>Free Flicker</b>	Yes
<b>Certificates</b>	CE, CB, CCC, ENEC
<b>Warranty</b>	3/5 Years

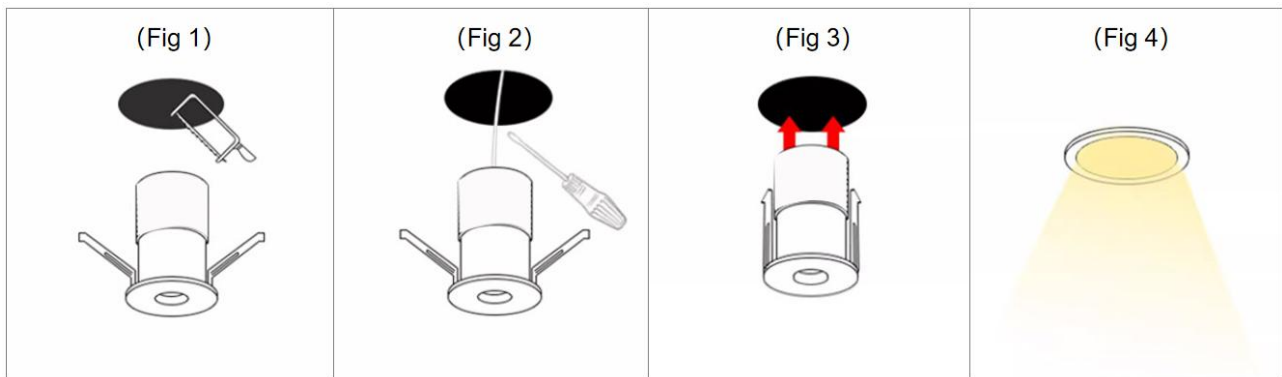
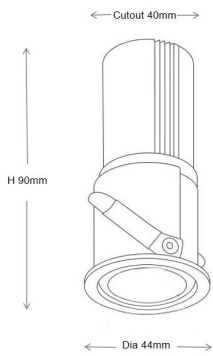
## Material&Housing Data

<b>Housing Color</b>	White/Black
<b>Reflector Color</b>	White/Black
<b>Housing Material</b>	Die-casting Aluminum

## Photometric Data

<b>LED chip brand</b>	Cree/ Osram /Bridgelux/ Epistar etc.
<b>Chip Type</b>	COB
<b>Color Temperature</b>	2700K, 3000K, 4000K, 5000K, 6000K
<b>CRI</b>	>80, >90
<b>Life time</b>	>50000Hrs
<b>Lumens efficacy</b>	100-120lm/w

## Dimensions&Installation



**PLEASE FIND A QUALIFIED ELECTRICIAN FOR INSTALLATION.** Please read the instructions before you install and use the downlight.

1. Make sure the power is turned off before installing the products.
2. Determine cutout size. (Fig 1)
3. Unplug the power supply to 220v and connect the lamp. (Fig 2)
4. Press the shrapnel to push the lamp into the hole. (Fig 3)
5. Once lamp is inside the housing, release the housing clips and continue pushing lamp into housing until securely fixed and flush with ceiling.
6. Restore power at the source and the installation is completed. (Fig 4)